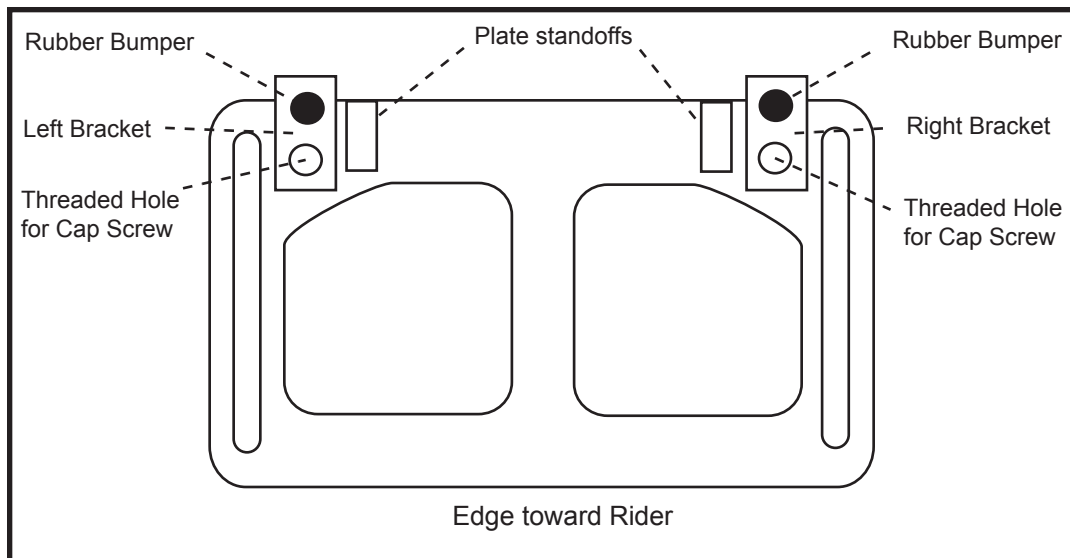
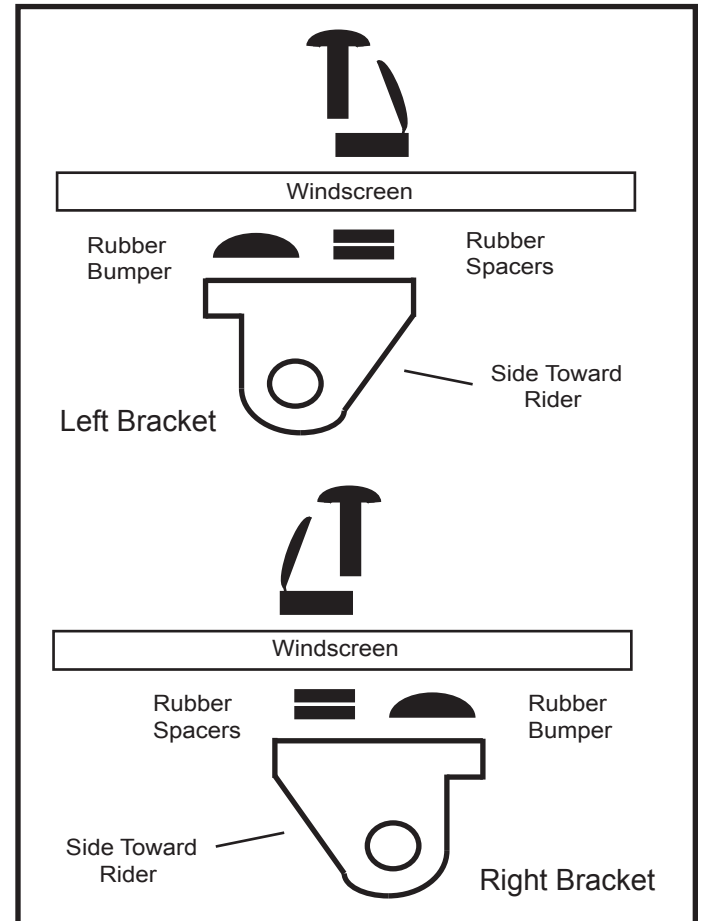


Three (3) or Four (4) Rubber Bumpers placed to make constant contact with detector

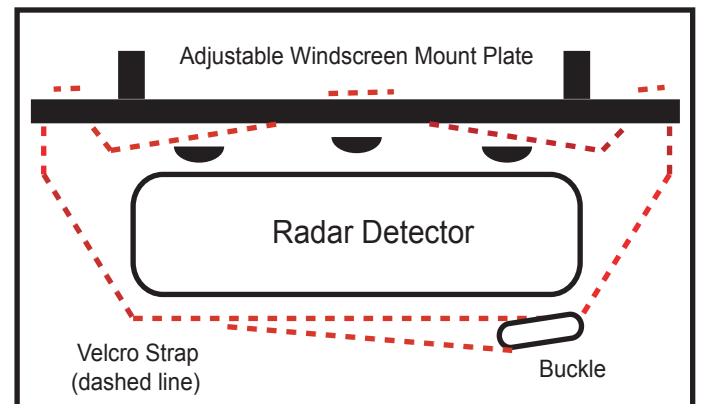
Front View of Assembly



Top View of Assembly



Bracket Side Views



Velcro Strap and Rubber Bumper View